

APPLICATIONS

Test holes

Micro piles

Anchoring

Water wells

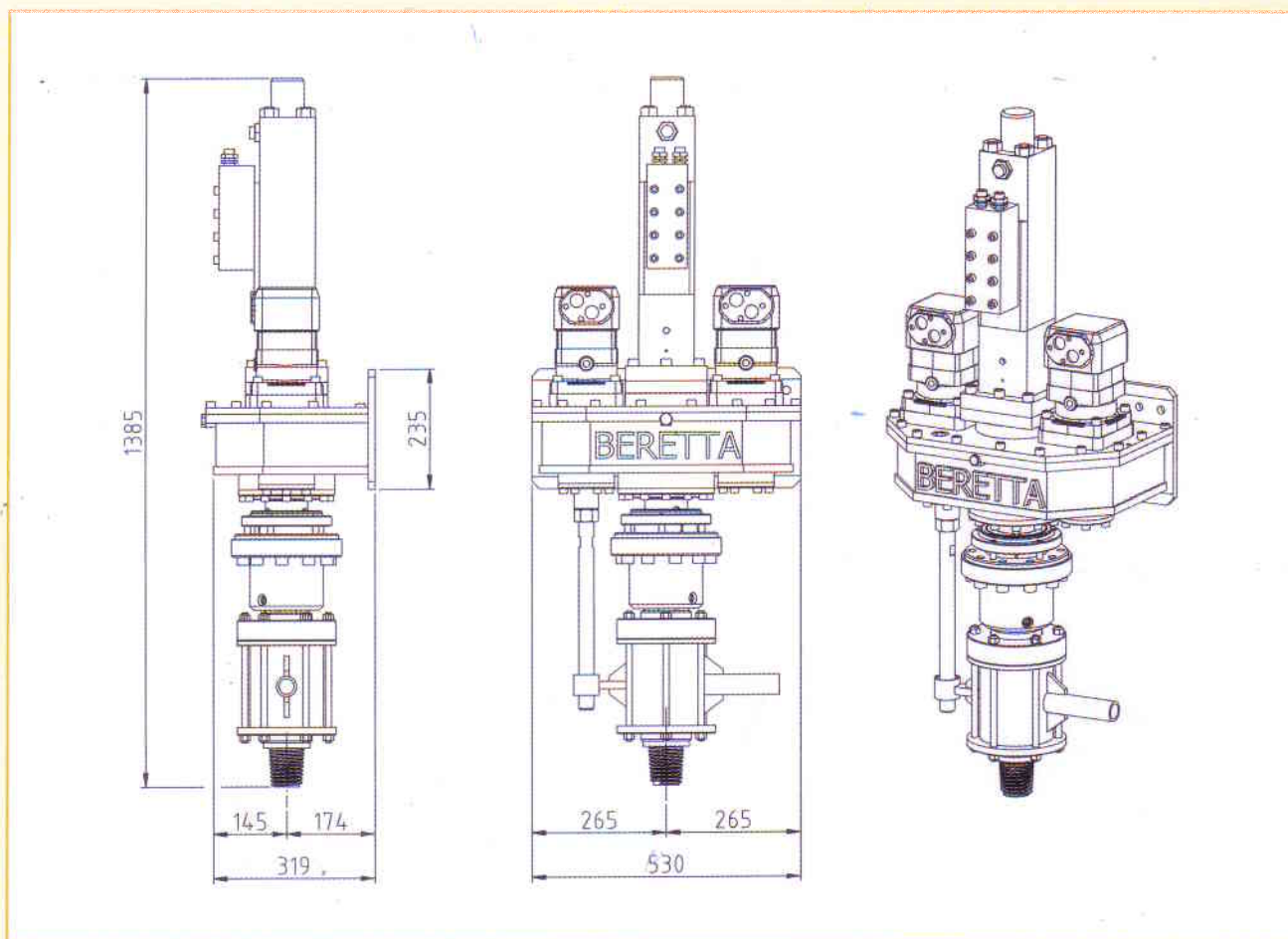
Restoration work

BERETTA®

45-85S

Hydraulic Rotary Head for series 4





Technical data

SPEED	A			B			C		
	daNm	lb ft	RPM	daNm	lb ft	RPM	daNm	lb ft	RPM
1°	950	7011	30	800	5904	40	620	4576	50
2°	475	3506	60	400	2952	80	310	2288	100

ROTARY HEAD PERFORMANCES

Portata olio / Max oil feed = 108 l/min (28,50 gal/min)

Pressione massima / Max working pressure = 200 bar (2845 PSI)

TOP HAMMER PERFORMANCES

Top hammer = DM85S

Impact frequency = 1300 BPM

Max impact energy = 270 Nm (300 ft lbs)

Portata olio / Max oil feed = 25 l/min (6,6 gal/min)

Pressione massima / Max working pressure = 100-140 bar (1422-1990 PSI)

Peso totale / Total weight = 290 Kg (639 lb)

BERETTA migliora costantemente i suoi prodotti riservandosi il diritto di apportare qualsiasi modifica senza preavviso nè responsabilità
 BERETTA continuously improves its products reserving the right to modify data without advance notice decling any responsibility
 Revisione depliant N. 0 - Ottobre 2010 / Brochure revision N. 0 - October 2010



Beretta Alfredo s.r.l.

20842 BESANA IN BRIANZA (MB) - ITALIA - Via Vignareto, 10
 Tel. +39 (0)362 99.53.80 r.a. - Fax +39 (0)362 99.57.08
 www.berettaalfredo.it - e.mail: info@berettaalfredo.it



ISO 9001 - Cert. n. 1323