



APPLICATIONS

Test holes

Micropiles

Anchoring

Jet grouting

Water wells

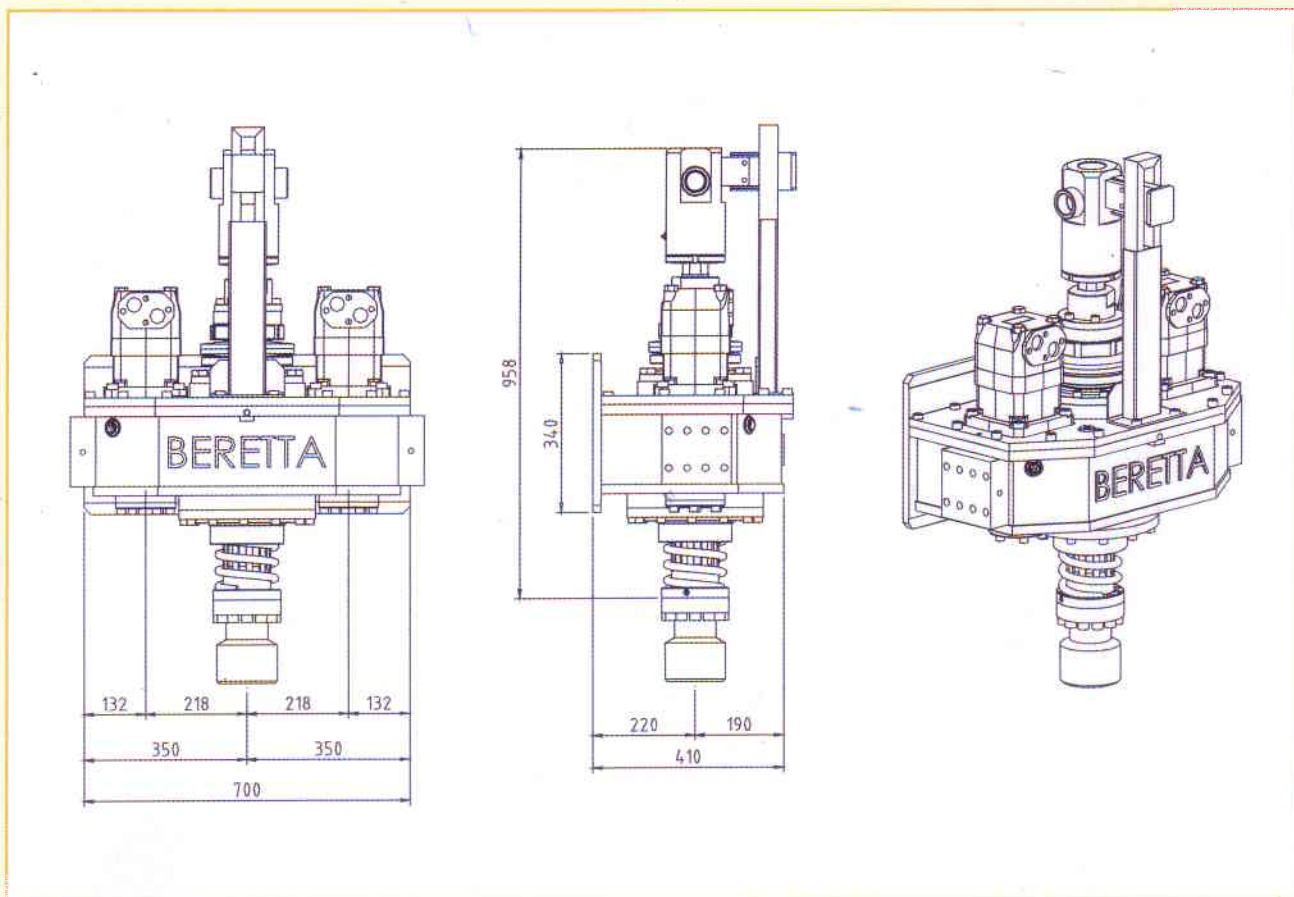
Restoration work

BERETTA

BERETTA[®]

541500

Hydraulic Rotary Head for series 5 and series 15



Technical data

SPEED	A			B			C		
	daNm	lb ft	RPM	daNm	lb ft	RPM	daNm	lb ft	RPM
1°	1450	10701	35	1250	9225	50	1100	8118	55
2°	725	5351	70	625	4613	100	550	4059	110

ROTARY HEAD PERFORMANCES

Inside diameter for jet grouting = 92 mm (3,62 inc)

Portata olio / Max oil feed = 160 l/min (41,6 gal/min)

Pressione massima / Max working pressure = 250 bar (3555 PSI)

Peso totale / Total weight = 455 Kg (1004 lb)

BERETTA migliora costantemente i suoi prodotti riservandosi il diritto di apportare qualsiasi modifica senza preavviso nè responsabilità
 BERETTA continuously improves its products reserving the right to modify data without advance notice decling any responsibility
 Revisione depliant N. 0 - Ottobre 2010 / Brochure revision N. 0 - October 2010



Beretta Alfredo s.r.l.

20842 BESANA IN BRIANZA (MB) - ITALIA - Via Vignareto, 10
 Tel. +39 (0)362 99.53.80 r.a. - Fax +39 (0)362 99.57.08
 www.berettaalfredo.it - e.mail: info@berettaalfredo.it



ISO 9001 - Cert n. 1323